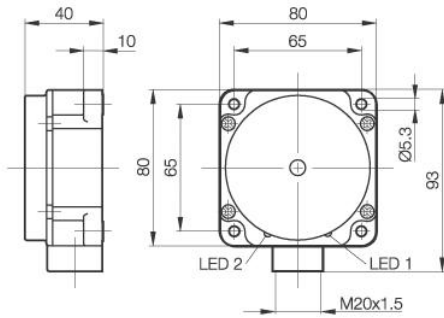


PX1573



Inductive Sensors BES 517-140-M5-H 80 x 80 x 40 Complementary Sn=50mm unshielded

Common Data

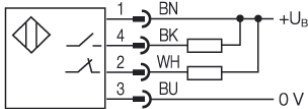
Product name	Maxisensor
Mounting in steel	unshielded
Rated operating distance Sn	50mm
Assured operating distance Sa	0...40mm
Repeatability R	≤ 5%
Hysteresis	3...20%
Power indication	yes
Function indication	yes
Ambient temperature range	-25...+70°C
Polution Degree	3
Time delay before availability	≤ 50ms

Mechanical Data

Measurements BxHxT or DxT	80 x 80 x 40mm
Housing material	PBTP
Material of sensing face	PBTP
Degree of protection	IP67IP
Connection	Screw terminals
Schock: Halfsinus, 30 gn, 11ms	
Vibration: 55 Hz, 1mm Amplitude, 3 x 30 Minutes	

Electrical Data

Current type	DC
Wiring	4-Wire
switching function	Complementary
Output signal	NPN
Rated operational voltage	24 DCV
Rated operational current	200mA
Supply voltage	10...55 DCV
Ripple	≤ 15%
max. switching frequency	100Hz
No-load supply current	≤ 15/≤ 15mA
Off-state current	≤ 80µA
Voltage drop	≤ 2.5/-V
Short circuit protection	yes
Protected against polarity reversal	yes



CE

Utilization categories
Insulation class

DC 13
II

Datasheet number:

Definitions see general catalog.
If not otherwise noted, ratings according to
IEC 60947-5-2 (DIN EN60947-5-2)

Balluff GmbH
Schurwaldstrasse 9
73765 Neuhausen a.d.F.
Phone (07158) 173-0 Fax (07158) 5010

Datenblatt by CD-ROM - 04/2007

BALLUFF
sensors worldwide